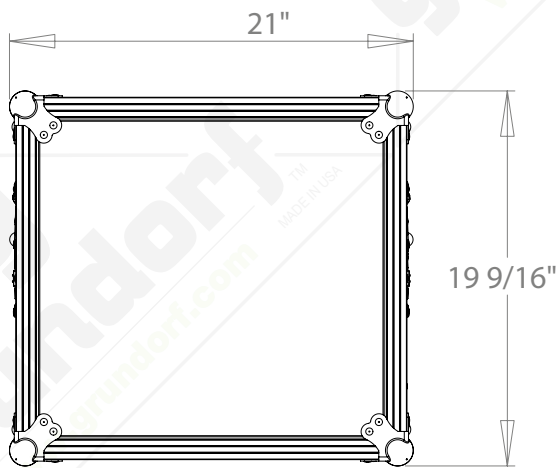
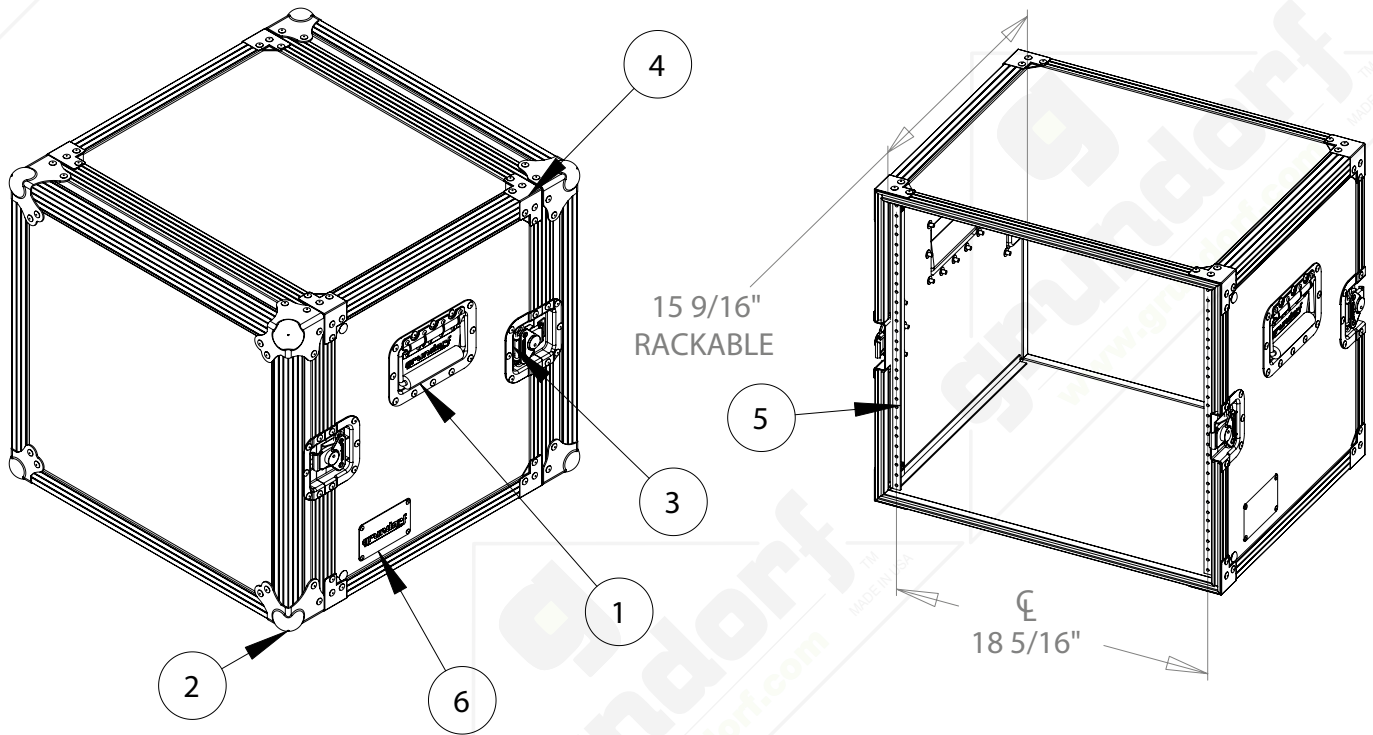
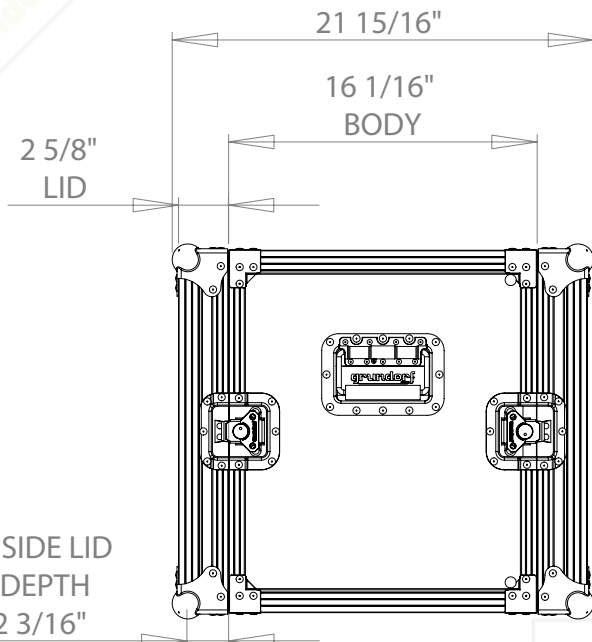


#	QTY.	PART NUMBER	DESCRIPTION
1	2	31-005	HANDLE - RECESSED/LOGO/ZINC
2	8	32-016	CORNER-BALL/ZINC
3	4	34-013	CATCH - RECESSED W/OFFSET/ZINC
4	8	35-007	CLAMP - SMALL/OFFSET
5	2	41-010	RACK RAIL-10 SPACE
6	1	83-012	BADGE - GRUNDORF TOUR 8 SERIES



Front View



Side View